

APPLICATION		REVISIONS			
NEXT ASSY	USED ON	LTR	DESCRIPTION	DATE	APPROVED
	PM-XSV21	A	Released to Production per E.O. 6197	3-10-80	[Signature]

REV LTR	SHEET	1	2	3	4	5	6	7	8	9	10	11	12	13	14	15	16	17	18	19	20	21	

PRODUCTION RELEASE

CONTRACT NO. _____

Plessey Peripheral Systems

DWG TITLE
KIT, FLOPPY DISC SYSTEM, PM-XSV21

SIZE: **A** CODE IDENT NO. 52648 DWG NO. 703531

SCALE: _____ SHEET 1 OF 3

PARTS LIST		Plessey Peripheral Systems		PARTS LIST NO. 703531		SH 2		REV LTR A	
QTY	UNIT MEAS	PART/ASSY NO. & QTY PER ASSY				PART NO. OR IDENTIFYING NO.	NOMENCLATURE OR DESCRIPTION	SPEC OR SOURCE	FIN NO
		-103	-102	-101	-100				
					X		Dual Floppy Disc System, 60 HZ		
							Dual Floppy Disc System, 50 HZ		
							Single Floppy Disc System, 60 HZ		
							Single Floppy Disc System, 50 HZ		
		1	1	1	1	800116-100	Software Kit		1
		1	1	1	1	MA703530	PM-XCV21 Manual		2
									3
		1	1	1	1	MA100142	Manual, Floppy Drive	Shugart	4
		1	1	1	1	703530-100	PWB Assembly		5
					1	703165-100	Chassis Assy, Dual, 60 HZ		6
				1		703165-101	Chassis Assy, Dual, 50 HZ		7
				1		703165-102	Chassis Assy, Single, 60 HZ		8

PARTS LIST		Plessey Peripheral Systems		PARTS LIST NO. 703531		SH 3		REV LTR A	
QTY	UNIT MEAS	PART/ASSY NO. & QTY PER ASSY				PART NO. OR IDENTIFYING NO.	NOMENCLATURE OR DESCRIPTION	SPEC OR SOURCE	FIN NO
		-103	-102	-101	-100				
					1	703165-103	Chassis Assy, Single, 50 HZ		9
					1	17250	Power Cable, 115 VAC	Belden	10
					1	700836-200	Power Cable, 230 VAC		11
					1	701803-100	Signal Cable, Dual, 96"		12
					1	701347-200	Signal Cable, Single, 96"		13

The information hereon is the property of PLESSEY PERIPHERAL SYSTEMS. Transmittal receipt or possession of the information does not constitute license, or imply any rights to use, sell, or manufacture from this information and no reproduction or publication of it, in whole or in part, shall be made without written authorization from PLESSEY PERIPHERAL SYSTEMS.

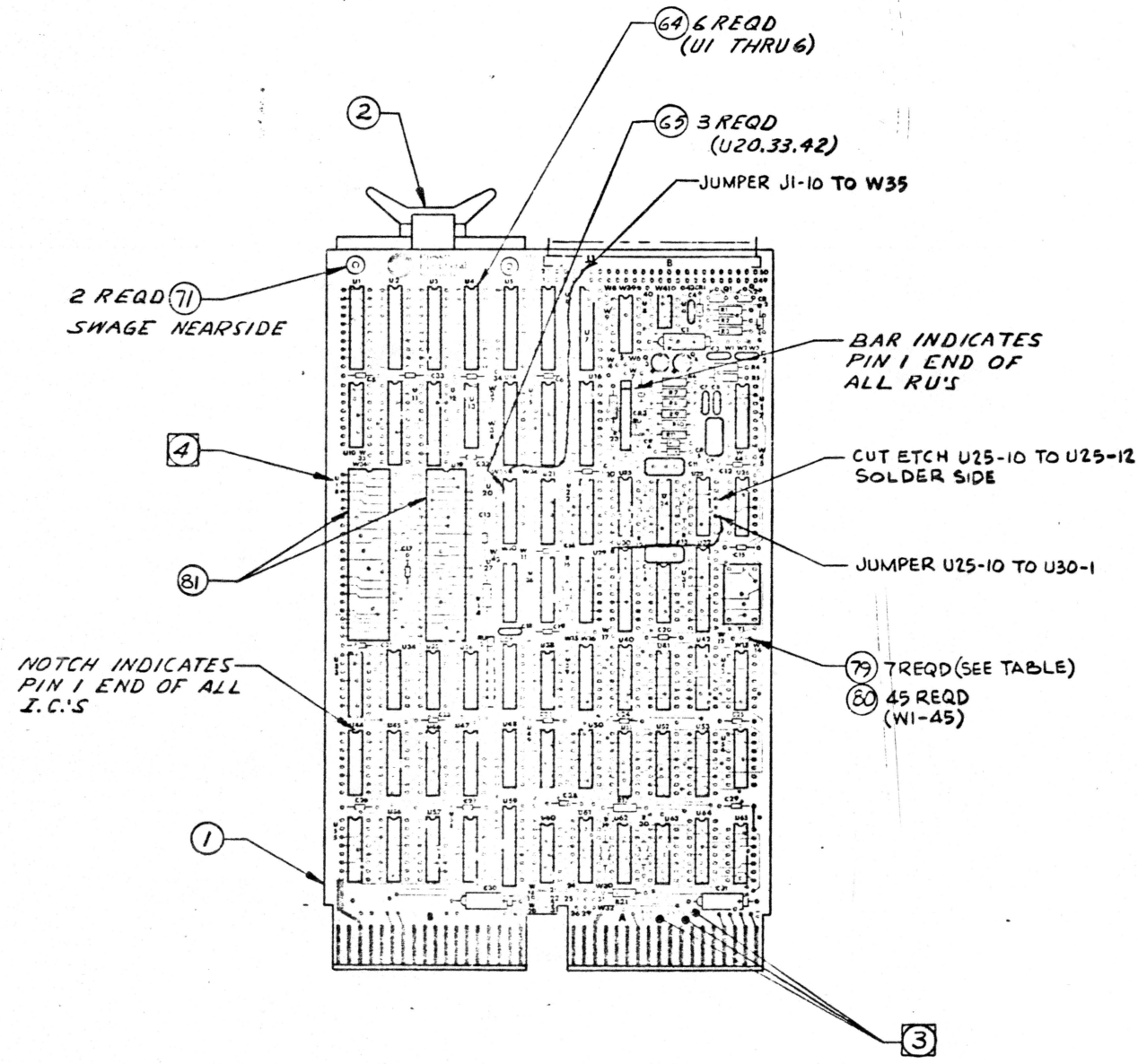
SIZE **B** CODE IDENT NO. 52648 DWG NO. 703531 SHEET 1 OF 1

SCALE REV A

The information herein is the property of PLESSEY PERIPHERAL SYS. Transmittal receipt or possession of the information does not comply, license, or imply any rights to use, sell, or manufacture from this information and no reproduction or publication of it, in whole or in part, shall be made without written authorization from PLESSEY PERIPHERAL SYS.

REVISIONS				
ZONE	LTR	DESCRIPTION	DATE	APPROVED
/	A	REL TO PROD PER EO 3513	2-7-80	[Signature]
/	B	INCRP EO 3571	3-17-80	[Signature]
/	C	INCRP EO 3663	5-2-80	[Signature]

703530



6 JUMPER TABLE

FROM	TO
W10	W43
W39	W40
W41	W42
W44	W45
W19	W20
W22	W23
W13	W14

PRODUCTION RELEASE

- 6 3 JUMPER CLIPS, ITEM 79, TO BE SHIPPED WITH THE ASSEMBLY AS SPARES.
 - 5 COMPONENT LEAD TRIM AND SOLDER BUILD-UP TO BE AS NOTED.
 - 4 COMPONENT DESIGNATIONS ARE FOR REFERENCE ONLY AND DO NOT APPEAR ON PART.
 - 3 MARK ASSEMBLY VERSION NO., LATEST REV. LTR. AND SERIAL NO. WITH BLACK INK PER MIL-M-13231, GROUP III. LOCATE APPROX AS SHOWN.
2. FOR SCHEMATIC DIAGRAM SEE SD703530.
 1. ASSEMBLE & INSPECT PER WORKMANSHIP STANDARDS MANUAL.
- NOTES: UNLESS OTHERWISE SPECIFIED

PART/ASSY NO. & QTY PER ASSY		DO NOT SCALE DRAWING		CONTRACT NO.	
PART/ASSY REV LTR		SCREW THREADS PER HANDBOOK H-38 COUNTERBORE AND SPOTFACE FILLET RADI TO BE .510 MAXIMUM REMOVE ALL BURRS AND BREAK SHARP EDGES EQUIVALENT TO .250R ROUGHNESS OF MACHINED SURFACES 125 PER USAS 94.1 STANDARD HOLE TOLERANCE PER AND 3687 TOLERANCES ON: XX = ± .03 XXX = ± .018 ANGLES = ± 1° 30'		Plessey Peripheral Systems	
-100 FINAL PM-XCV21		INTERPRET DIMENSIONS AND TOLERANCES PER USAS 15.5 DIMENSIONS ARE IN INCHES AND APPLY AFTER HEAT TREAT AND FINISH UNLESS OTHERWISE SPECIFIED		DRAWN <i>S. Winko</i> 11-27-79 CHECK <i>L. Sankia</i> 1-8-80 ENGR <i>M. Vuy</i> 1/8/80 PROJ. ENGR PROD. DESIGN <i>P. Patel</i> 1/10/80 OTHER <i>K. W. [Signature]</i> 1/10/80	
APPLICATION		NOMENCLATURE OR DESCRIPTION / MATERIAL		DWG TITLE BOARD ASSEMBLY FLOPPY DISK CONTROLLER PM-XCV21	
-100 NOTE PART OR IDENTIFYING NO.		FOR PARTS LIST SEE PL703530-100		SIZE CODE IDENT NO. DWG NO. D 52648 703530	
PARTS LIST		SPEC/SOURCE		SCALE: 1/1	
PART NO. NEXT ASSY USED ON		CODE IDENT NO.		SHEET 1 OF 1	
APPLICATION		FIND NO.		DISTR NO. 1234780	

D
C
B
A
703530

PARTS LIST		Plessey Peripheral Systems		REFUSED BY: J. E. [Signature]	DATE: 2-25-79	PARTS LIST NO. PL703530-100	REV. LTR. C	REV. LTR. C
CHECKED BY: L. [Signature]		DATE: 10-4-79	CODE IDENT NO. 52648	SH 1 OF 9	APPROVED BY: [Signature]	DATE: 10-12-79	MODEL NO. FM-XCV21	
BOARD ASSEMBLY FLOPPY DISK CONTROLLER FM-XCV21								
LTR	DESCRIPTION	DATE	APPROVED	LTR	DESCRIPTION	DATE	APPROVED	
A	REL TO PROD PER EO 3513	2-7-80	[Signature]					
B	INCORP EO 3571	3-18-80	[Signature]					
C	INCORP EO 2663	5-2-80	[Signature]					
PRODUCTION RELEASE								
REV STATUS OF SHEETS	REV LTR	C	A	B	A	C	B	C
	SHEET	1	2	3	4	5	6	7

PARTS LIST		Plessey Peripheral Systems		CODE IDENT NO. 52648	PARTS LIST NO. PL703530-100	SH 3	REV LTR. A
NOTE	QTY REQD	PART OR IDENTIFYING NO.	NOMENCLATURE OR DESCRIPTION	SPECIFICATION	CODE IDENT NO.	ZONE	F I N D
	1	703519-001	PRINTED WIRING BOARD				1
	1	701359-001	HANDLE, CARD				2
	4	SN74LS21	IC/ DATA SEL/MULTIPLEXERS	T.I.			3
	1	SN74S00	IC/ QUAD 2-INPUT POS-NAND GATE				4
	1	SN74S02	IC/ QUAD 2-INPUT POS-NOR GATE				5
	2	SN74S04	IC/ HEX INVERTER				6
	1	SN74S08	IC/ QUAD 2-INPUT POS-AND GATE				7
	1	SN74S10	IC/ TRIPLE 3-INPUT POS-NAND GATE				8
	1	SN74S11	IC/ TRIPLE 3-INPUT POS-AND GATE				9
	1	SN7416	IC/ HEX INVERTER BUFFERS/DRIVERS E/OC				10
	3	SN74S38	IC/ QUAD 2-INPUT POS-AND BUFFERS W/OC				11
	3	SN74S74	IC/ DUAL D-TYPE EDS-TRIG FIF W/RESET/CLEAR				12
	1	SN74S86	IC/ QUAD 2-INPUT EXCLUSIVE-OR GATES	T.I.			13

PARTS LIST		Plessey Peripheral Systems		CODE IDENT NO. 52648	PARTS LIST NO. PL703530-100	SH 2	REV LTR. C
CROSS INDEX OF REFERENCE DESIGNATIONS TO FIND NO.							
REFERENCE DESIGNATION	F I N D	REFERENCE DESIGNATION	F I N D	REFERENCE DESIGNATION	F I N D	REFERENCE DESIGNATION	F I N D
U21,28,29,39	3	U41	37	R9	47	Q1,2	67
U49	4	U13	26	R14	38	Q3,4	68
U60	5	U1	27	R19,20	39	Y1	69
U26,48	6	U22	28	R17,21	40	J1	70
U27	7	U19	29	R11	51		71
U34	8	U33	30	R12	52	U2	72
U36	9	U42	31	C18	53	U3	73
U3	10	U18,19	32		54	U4	74
U35,63,65	11	U17,15,16	33	C3,3	55	U5	75
U25,33,54	12	U31	34	C7	56	U6	76
U50	13	U59	35		57	U12	77
U23	14	U62	36	C4,2	58	LAB SET	
U24	15	U45,47,56,58,61,64	37	C1	59	R12, R13	
U17	16	U20	38	C30,31	60		
U40	17	R4	39	C11,16	61		
U37	18	R1, 6,7,8,15,23	40	C9	62		
U44,55	19	R5	41	C5,6,10,12,13,14,15,	63		
U51,52,53	20		42	C17,19,20,21 THRU 29,	64		
U30,32	21		43	C32	65		
U13	22	R10,11	44		66		
U11,14	23	R2	45		67		
U46,57	24	R3	46	C1,2,3,4,5	68		

PARTS LIST		Plessey Peripheral Systems		CODE IDENT NO. 52648	PARTS LIST NO. PL703530-100	SH 4	REV LTR. B
NOTE	QTY REQD	PART OR IDENTIFYING NO.	NOMENCLATURE OR DESCRIPTION	SPECIFICATION	CODE IDENT NO.	ZONE	F I N D
	1	SN7492	IC/ DECODE, DIV BY TWELVE & BINARY COUNTERS	T.I.			14
	1	SN74123	IC/ DUAL RETRIG MONO MULTI W/CLEAR				15
	1	SN74S124	IC/ DUAL VOLTAGE CONTROLLED OSCILLATOR				16
	1	SN74S139	IC/ DECODER/DEMULTIPLEXERS				17
	1	SN74S175	IC/ HEX/QUAD D-TYPE FIF W/CLEAR				18
	2	SN74S257	IC/ QUAD DATA SELECTORS/MULTIPLEXERS				19
	3	SN74S259	IC/ 8-BIT ADDRESSABLE LATCHES				20
	2	SN74276	IC/ QUAD J-K FLIP-FLOPS				21
	1	100181-100	IC/ 256-BIT PROM 3-STATE OUTPUTS				22
	2	SN74S374	IC/ OCTAL D-TYPE FLIP-FLOPS				23
	2	SN74S393	IC/ OCTAL REGISTER				24
	1	SN74S164	IC/ 8-BIT PARALLEL OUT SERIAL SHIFT REG.				25
	1	SN74S275	IC/ 4-BIT BIDIRECTIONAL UNIVERSAL SHIFT REG.	T.I.			26

The information hereon is the property of PLESSEY PERIPHERAL SYS. Transmittal receipt or possession of the information does not imply license, or imply any rights to use, sell, or manufacture from this information and no reproduction or publication of it, in whole or in part, shall be made without written authorization from PLESSEY PERIPHERAL SYS.

CODE IDENT NO. 52648
 DWG NO. PL 703530-100
 SHEET 1 of 3
 REV C
 SCALE
 SIZE B

PARTS LIST

Plessey Peripheral Systems

52648

PL703530-100

SH 5

A

PARTS LIST

Plessey Peripheral Systems

52648

PL703530-100

SH 7

C

NOTE	QTY REQD	PART OR IDENTIFYING NO.	NOMENCLATURE OR DESCRIPTION	SPECIFICATION	CODE IDENT NO.	ZONE	F I N D	S Y S	C/I USAGE					
									C/I CODE	INT OR HAND	P A R	UNIT COST		
	1	100182-100	IC/ PROGRAMMABLE READ-ONLY MEMORIES				27							
	1	SN74LS53	IC/ DUAL DATA SELECTORS/ MULTIPLEXERS	T.I.			28							
	1	SN75452	IC/ DUAL NOR DRIVER	T.I.			29							
	1	100123-100	IC/ 256 X 4 PROM				30							
	1	100134-100	IC/ 512 X 4 PROM				31							
	2	442301 EP2	IC/ 4 BIT BI-POLAR MICROPROCESSOR SLICE	AMD			32							
	3	442311 PC	IC/ 4-BIT MICROPROCESSOR SEQUENCER	AMD			33							
	1	9401	IC/ CRC GENERATOR	FAIRCHILD			34							
	1	715404-201L	IC/ 4K X 1 RAM	T.I.			35							
	1	8640	IC/ QUAD BUS RECEIVER	NATIONAL			36							
	6	8644	IC/ QUAD BUS TRANS	NATIONAL			37							
	1	100181-101	IC PROM				38							
	1	RC07GF 222J	RESISTOR/2.2K, ±5%, 1/4W	MIL-R-11			39							

NOTE	QTY REQD	PART OR IDENTIFYING NO.	NOMENCLATURE OR DESCRIPTION	SPECIFICATION	CODE IDENT NO.	ZONE	F I N D	S Y S	C/I USAGE					
									C/I CODE	INT OR HAND	P A R	UNIT COST		
	1	CK05BX 321K	CAPACITOR/ 320pf, 50V	MIL-C-11015			53							
	2	CK05BX 102K	CAPACITOR/.001uf, 200V				55							
	1	CK05BX 103K	CAPACITOR/.01uf, 100V				56							
B							57							
B	2	CK05BX 104K	CAPACITOR/.1uf, 50V	MIL-C-11015			58							
	1	150005X 051022	CAPACITOR/22uf, 10V	SPPAGUE			59							
	2	1500156X 051022	CAPACITOR/15uf, 15V	SPPAGUE			60							
	2	CD10FD 221G03	CAPACITOR/220pf, ±2%, 50V	CDE			61							
	1	CD10FD 271J03	CAPACITOR/270pf, ±5%, 50V	CDE			62							
C	20	CGA103ZDE	CAPACITOR/.01uf,	UNITRODE			63							
	6	DILB10P -108	SOCKET/ 20 PIN	BURNDY			64							
C	3	DILB16P -108	SOCKET/ 16 PIN	BURNDY			65							

PARTS LIST Plessey Peripheral Systems 52648 PL703530-100 SH 6 C

PARTS LIST Plessey Peripheral Systems 52648 PL703530-100 SH 8 B

NOTE	QTY REQD	PART OR IDENTIFYING NO.	NOMENCLATURE OR DESCRIPTION	SPECIFICATION	CODE IDENT NO.	ZONE	F I N D	S Y S	C/I USAGE					
									C/I CODE	INT OR HAND	P A R	UNIT COST		
	6	RC07GF102J	RESISTOR/1K, ±5%, 1/4W	MIL-R-11			40							
	1	RC07GF03J	RESISTOR/10K, ±5%, 1/4W	MIL-R-11			41							
C							42							
C							43							
	2	RC07GF33J	RESISTOR/3.3K, ±5%, 1/4W	MIL-R-11			44							
	1	RC07GF24J	RESISTOR/24K, ±5%, 1/4W				45							
	1	RC07GF04J	RESISTOR/100K, ±5%, 1/4W				46							
	1	RC07GF100J	RESISTOR/10Ω, ±5%, 1/4W				47							
	1	RC07GF101J	RESISTOR/100Ω, ±5%, 1/4W				48							
	2	RC07GF18J	RESISTOR/180Ω, ±5%, 1/4W				49							
	2	RC07GF59J	RESISTOR/300Ω, ±5%, 1/4W	MIL-R-11			50							
	1	750-85-R220/330	RESISTOR MODULE/220/330	CTS			51							
	1	750-91-RIK	RESISTOR MODULE/1K	CTS			52							

NOTE	QTY REQD	PART OR IDENTIFYING NO.	NOMENCLATURE OR DESCRIPTION	SPECIFICATION	CODE IDENT NO.	ZONE	F I N D	S Y S	C/I USAGE					
									C/I CODE	INT OR HAND	P A R	UNIT COST		
	5	IN914	DIODE	T.I.			66							
	2	2N4401	TRANSISTOR	MOTOROLA			67							
	2	2N2222A	TRANSISTOR	MOTOROLA			68							
	1	MX0-40-2 -12MHZ	OSCILLATOR/ 12.0MHZ	CTS			69							
	1	801-067	CONNECTOR/50 PIN, RT ANGLE	SPECTRA STRIP			70							
	2	MS 10535 -154	RIVET/ TUBULAR OVAL HEAD				71							
	1	100182-101	IC/ PROM				72							
	1	100182-102	IC/ PROM				73							
	1	100182-103	IC/ PROM				74							
	1	100182-104	IC/ PROM				75							
	1	100182-105	IC/ PROM				76							
B	1	SN74S374	IC/ OCTAL D-TYPE F/F	T.I.			77							
REF		SD 703530	SCHEMATIC DIAGRAM				78							

DWG NO. PL 703530-100
 CODE IDENT NO. 52648
 SIZE D
 SCALE
 REV C
 SHEET 2 of 3
 Form 000087

The information herein is the property of PLESSEY PERIPHERAL SYS. Transmittal receipt or possession of the information does not comply, license, or imply any rights to use, sell, or manufacture from this information and no reproduction or publication of it, in whole or in part, shall be made without written authorization from PLESSEY PERIPHERAL SYS.

PARTS LIST		Plessey Peripheral Systems		CODE IDENT NO.	PARTS LIST NO.	SH	REV					
				52648	PL703530-100	2	C					
QTY REQD	NOTE	PART OR IDENTIFYING NO.	NOMENCLATURE OR DESCRIPTION	SPECIFICATION	CODE IDENT NO.	ZONE	F I N D	S Y S T E M	C/I USAGE			
									E/I CODE	INT OR MFGD	P A R T	UNIT COST
7		65474-001	JUMPER CLIP	BERG			79					
45		75401-001	PIN, .025 SQUARE	BERG			80					
2		DIL340P-103	SOCKET / 40 PIN	BURNDY			81					

The information hereon is the property of PLESSEY PERIPHERAL SYS. Transmittal receipt or possession of the information does not comply, license, or imply any rights to use, sell, or manufacture from this information and no reproduction or publication of it, in whole or in part, shall be made without written authorization from PLESSEY PERIPHERAL SYS.

SIZE **B** SCALE **A**

CODE IDENT NO. 52648

DWG NO. PL 703530-100

REV C SHEET 3 of 3

The information hereon is the property of PLESSEY MICROSYSTEMS. Transmittal, receipt or possession of the information does not constitute license or imply any rights to use, sell, or manufacture from this information and no reproduction or publication of it, in whole or in part, shall be made without written authorization from PLESSEY MICROSYSTEMS.

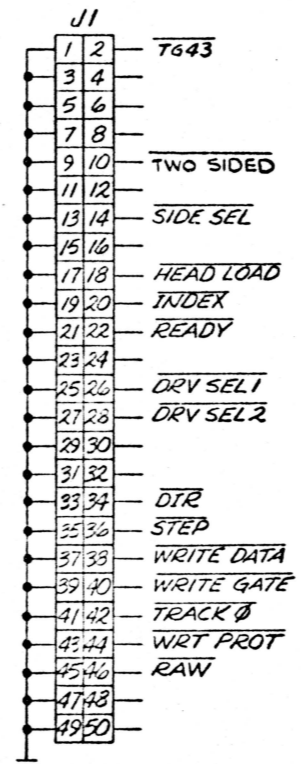
REVISIONS				
ZONE	LTR	DESCRIPTION	DATE	APPROVED
A		REL TO PROD PER EO 3513	1-7-80	[Signature]
B		INCRP EO 3571	3-18-80	[Signature]
C		INCRP EO 3663	5-2-80	[Signature]

LAST REFERENCE DESIGNATION USED	
INTEGRATED CIRCUIT	U65
CAPACITOR	C32
RESISTOR	R23
RESISTOR MODULE	RU2
TRANSISTOR	Q4
DIODE	CR5
CONNECTOR	J1
OSCILLATOR	Y1

REFERENCE DESIGNATION NOT USED	
INT CKT	U10
RESISTOR	R22, 16, 18

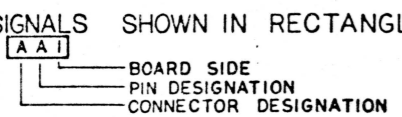
REF DESIG.	GATES USED PER TOTAL	PART NUMBER
U34	2/3	74510

	SIDE 2		SIDE 1		
SOLDER SIDE	+5V	A	B1RQ5L		CONNECTOR A
		B	B1RQ6L		
	GND	C	BDAL16L		
		D	BDAL17L		
		E			
		F			
		H			
		J			
		K			
		L			
		M			
		N	BDMRL		
		P			
COMPONENT SIDE	+5V	A	BDCOKH		CONNECTOR B
		B	BPOKH		
	GND	C			
		D			
		E			
		F			
		H			
		J			
		K			
		L			
		M			
		N	BSACKL		
		P	B1RG7L		
	R				
	S				
	T	GND			
	U				
	V				



JUMPER TABLE	
FROM	TO
W10	W43
W39	W40
W41	W42
W44	W45
W19	W20
W22	W23
W13	W14

- 7. COMPONENT VALUES ARE LAB SET.
- 6. ALL DIODES ARE 1N914.
- 5. CAPACITOR VALUES ARE MICROFARADS.
- 4. RESISTOR VALUES ARE IN OHMS, ±5%, 1/4W.
- 3. DESIGNATIONS SHOWN IN PARENTHESIS INDICATES WHERE SIGNAL ORIGINATES OR TERMINATES.



2. SIGNALS SHOWN IN RECTANGLES ARE I/O CONNECTIONS.

1. FOR ASSEMBLY DRAWING SEE 703530

NOTES: UNLESS OTHERWISE SPECIFIED:

PRODUCTION RELEASE

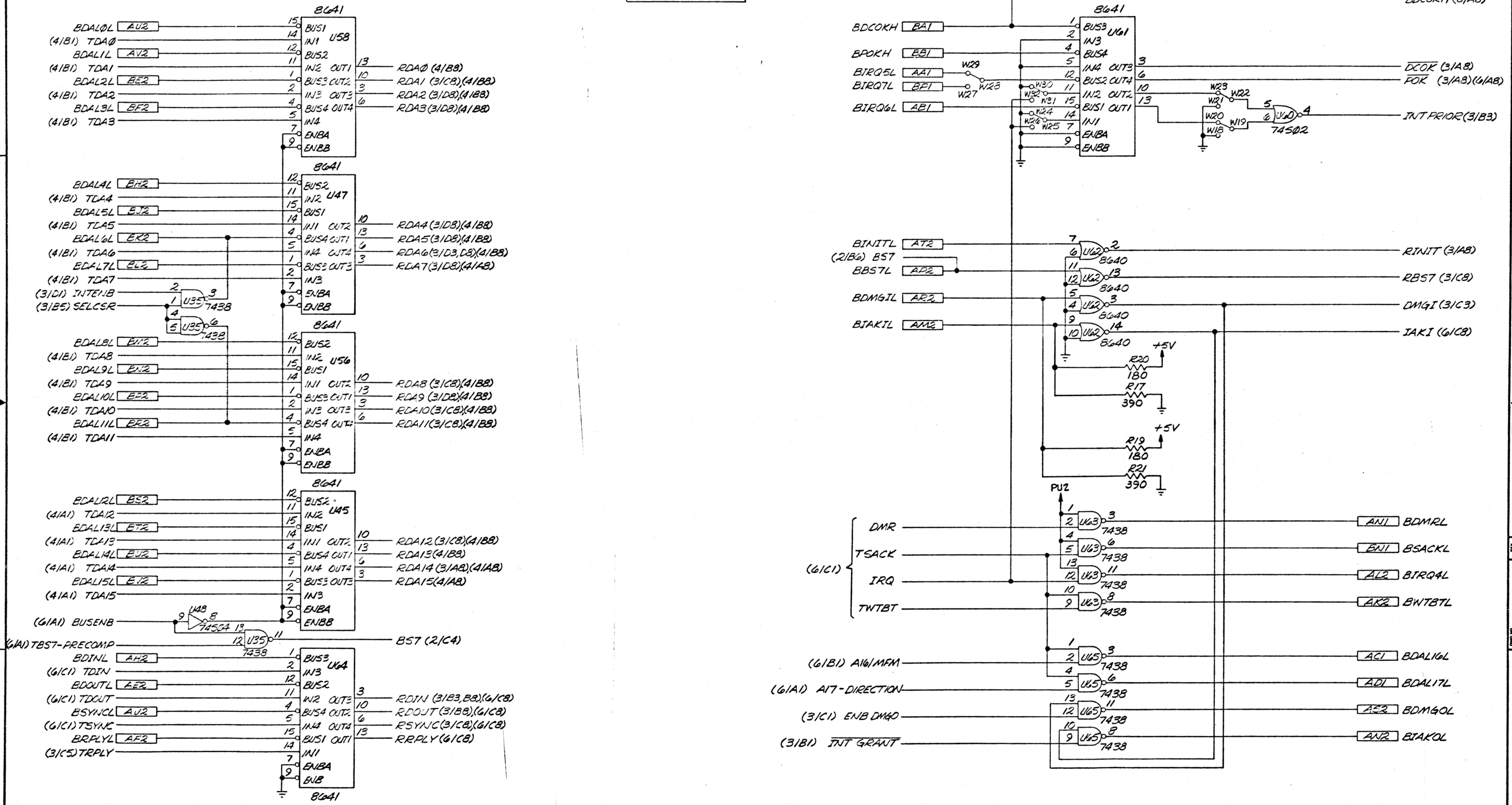
PART/ASSY NO. & QTY PER ASSY		NOTE/PART OR IDENTIFYING NO.	NOMENCLATURE OR DESCRIPTION / MATERIAL	SPEC/SOURCE	CODE IDENT NO.	FIND NO.
						5
						4
						3
						2
						1

PART/ASSY REV LTR		CONTRACT NO.	
703530-101 PM-XCV21		Plessey Microsystems	
DO NOT SCALE DRAWING SCREW THREADS PER HANDBOOK #28 COUNTERBORE AND SPOTFACE FILLET RADI TO BE .010 MAXIMUM REMOVE ALL BURRS AND BREAK SHARP EDGES EQUIVALENT TO .010 ROUGHNESS OF MACHINED SURFACES 125 PER USAS #4.1 STANDARD HOLE TOLERANCE PER AND 10:187 TOLERANCES DIM. XX = ±.03 XXX = ±.010 ANGLES = 30° INTERPRET DIMENSIONS AND TOLERANCES PER USAS Y14.5 DIMENSIONS ARE IN INCHES AND APPLY AFTER HEAT TREAT AND FINISH UNLESS OTHERWISE SPECIFIED		DWG TITLE SCHEMATIC DIAGRAM FLOPPY DISK CONTROLLER PM-XCV21	
DRAWN [Signature] 9-11-79		SIZE CODE IDENT NO. DWG NO.	
CHECK [Signature] 10-6-79		D 52648 SD703530	
ENGR [Signature] 1/7		SCALE: 1:1	
PROJ. ENGR [Signature] 10-1-79		SHEET 1 OF 3	
PROD. DESIGN [Signature] 10-1-79		DISTR NO. 10-2-79 0 H	
OTHER [Signature]			
APPROVALS			

The information herein is the property of PLESSEY PERIPHERAL SYS. Transmittal receipt or possession of the information does not imply license or any right to use, sell, or manufacture from this information and no reproduction or publication of it, in whole or in part, shall be made without written authorization from PLESSEY PERIPHERAL SYS.

ZONE		LTR		DESCRIPTION	DATE	APPROVED
				SEE SHT 1		

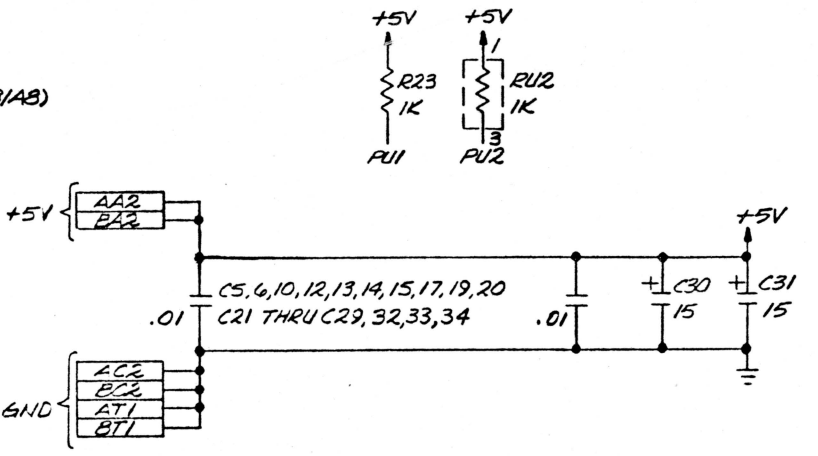
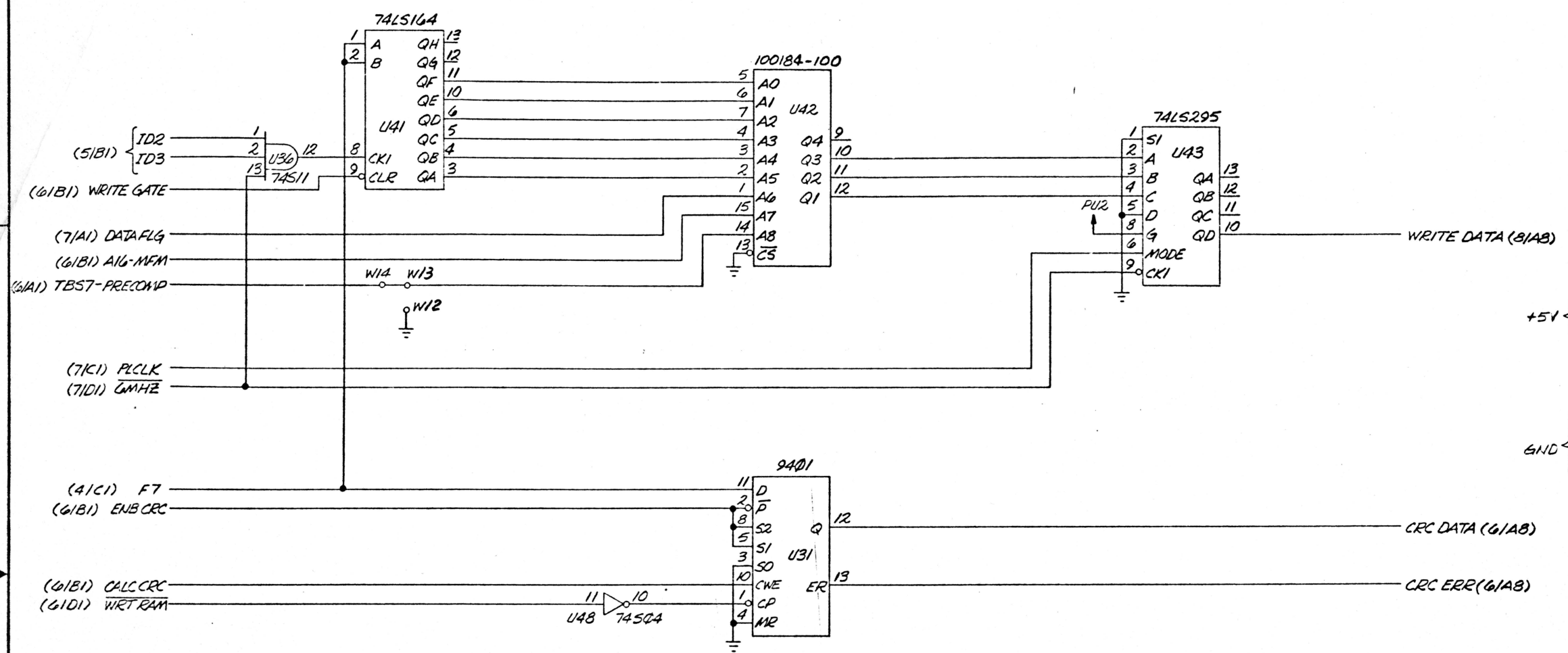
Q-BUS INTERFACE



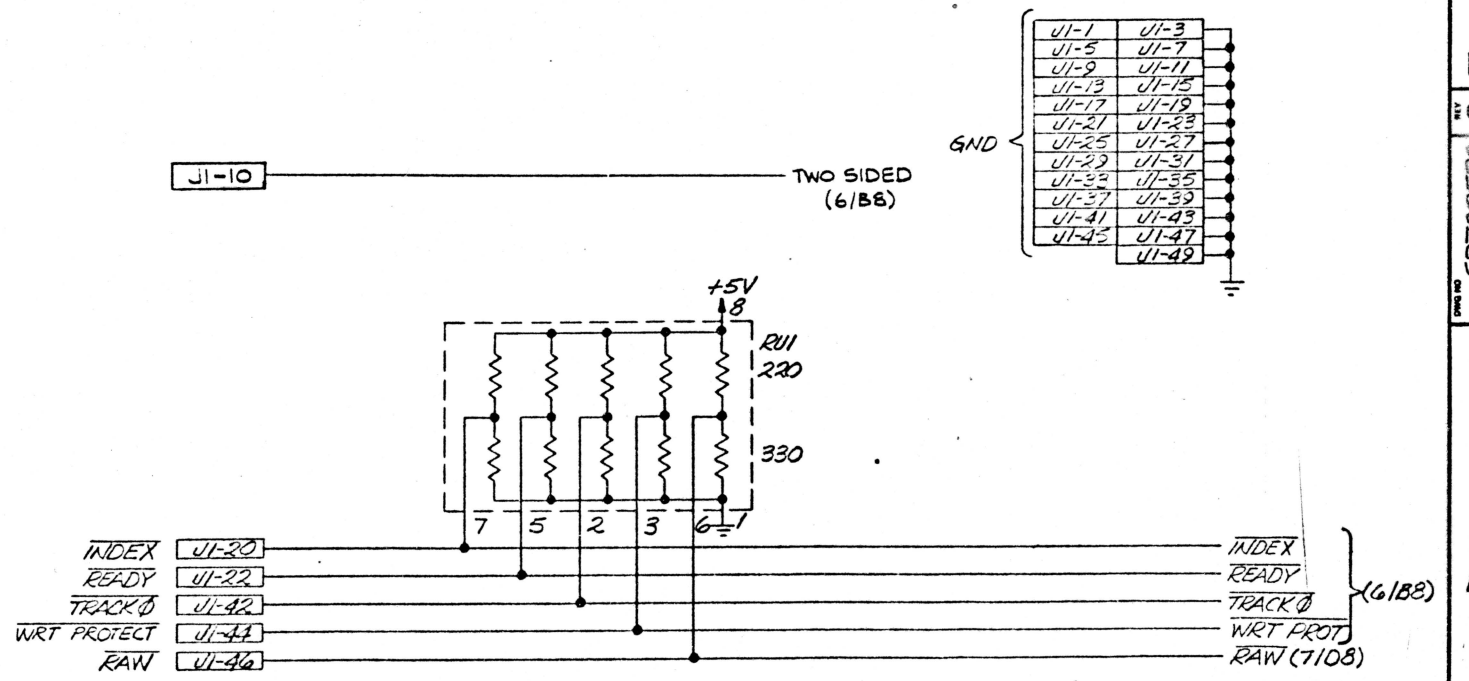
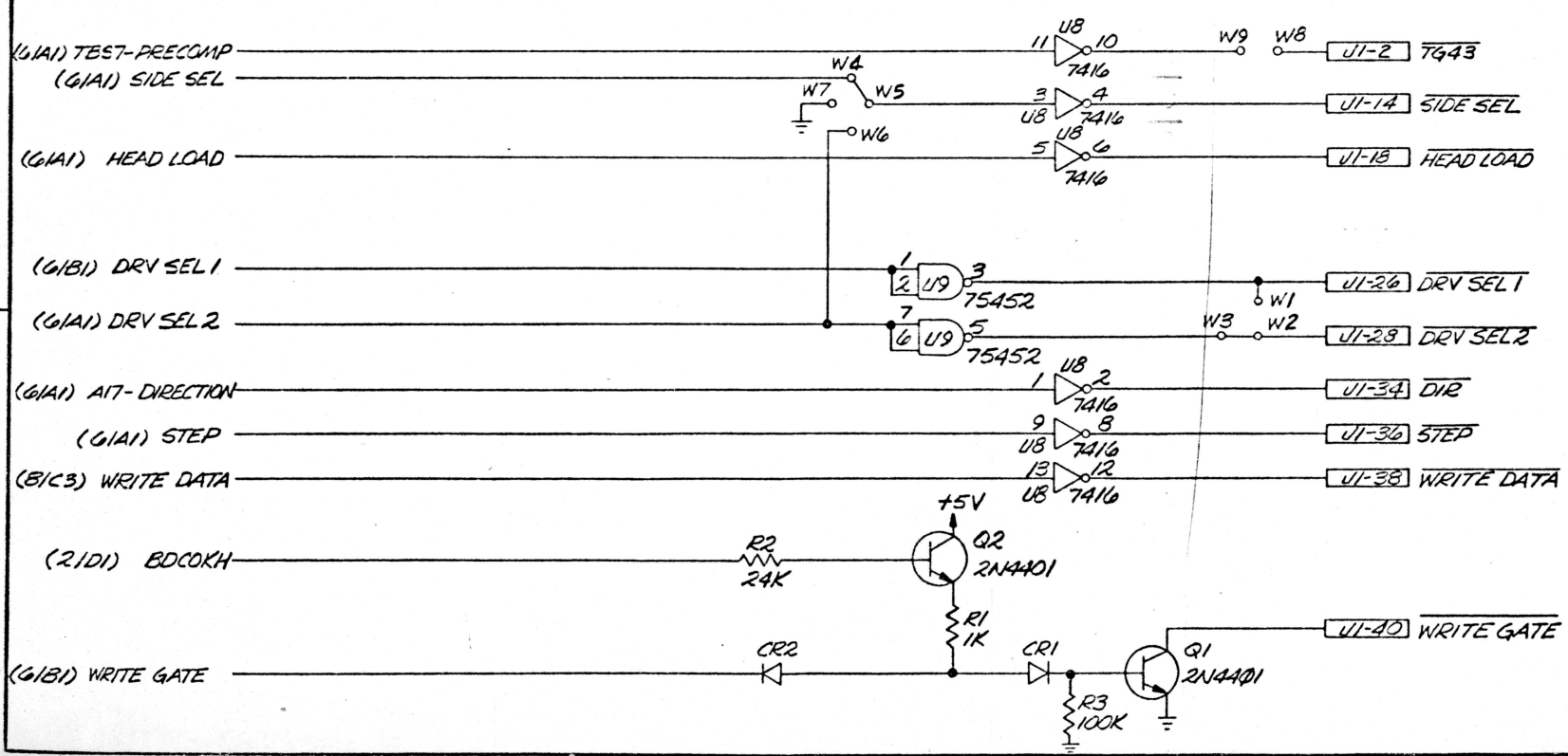
SIZE	CODE IDENT NO.	DWG NO.
D	52648	SD703530
SCALE:	SHEET 2 OF 3	
		DISTR NO.

REVISIONS				
ZONE	LTR	DESCRIPTION	DATE	APPROVED
/	/	SEE SHT 1		

WRITE PRECOMP & CRC GENERATOR



DRIVE INTERFACE



SIZE	CODE IDENT NO.	DWG NO.
D	52648	SD703530
SCALE:		SHEET 8 OF 8
		DISTR NO.

D
C
B
A

SD703530